

Slow Axis Collimator Lenses (SACs) For Single and Multi-emitter Applications

Aspheric design provides outstanding collimator quality.

Your Benefits

- **Independent supplier:** As a leading and independent manufacturer we support your economic autonomy.
- **Reliability:** Profit from our high-quality production in Switzerland.
- **Fast ramp-up:** From prototypes to serial production.
- **Customized to needs:** We incorporate your needs in design, coating and packaging.



Technical Data

- Feasible focal length: 2.6 – 12 mm
- Feasible wavelength range: 405 – 1550 nm
- Arrays for multi-emitter (laser bars): pitch 500 or 1000 μm

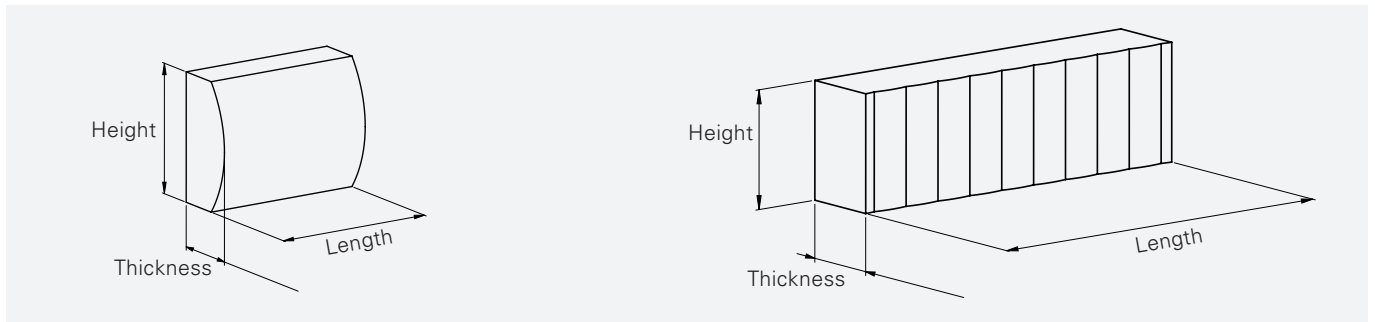


Applications

- Diode Laser Systems
- Fiber Laser Pumps
- Disk Laser Pumps
- Solid-state Laser Pumps
- LiDAR Systems

Slow Axis Collimator Lenses and Arrays

Technical Specifications



	Wavelength Range	Focal Length		Back Focal Length		Dimension (Height x Thickness)	Number of Emitters
		EFL mm	@ nm	BFL mm	@ nm		
	nm					mm	-
Single emitters							
SAC 4000	790–990	4.0	940	2.65	940	3.0 x 2.0	1
SAC 4000	430–470	3.87	450	2.54	450	3.0 x 2.0	1
SAC 5600	790–990	5.6	940	4.5	940	3.0 x 1.65	1
SAC 5600	430–470	5.42	450	4.33	450	3.0 x 1.65	1
SAC 8000	790–990	8.0	940	7.17	940	3.0 x 1.35	1
SAC 12000	790–990	12.0	940	11.3	940	3.5 x 1.5	1
SAC 12000	430–470	11.55	450	10.65	450	3.5 x 1.5	1
Arrays for multi-emitters							
SACA 500	790–990	2.6	940	1.9	940	1.5 x 1.0 x 4.8	9
SACA 500	790–990	2.6	940	1.9	940	1.5 x 1.0 x 12	23
SACA 1000	790–990	8.0	940	7.5	940	1.4 x 1.0 x 5.8	5
Length (mm): customized to your request							

Customized designs available upon request.